

# PARTS MANUAL

26" RIDING MOWER

MODEL 3-0113 ELECTRIC START



## SERIAL NUMBERS

Serial and model numbers are necessary to correctly identify your rider and engine whenever you need repair parts. Rider numbers are on a plate attached to the rear of the body; engine numbers are on a plate attached to the engine shroud.

For ready reference, enter these numbers in the spaces below.

Model Number

Serial Number

Rider \_\_\_\_\_

Engine \_\_\_\_\_

## TO ORDER PARTS FROM THIS MANUAL

1. Find the illustration of the desired part and note its identifying number.
2. Locate the item number in the listing and determine the part number and description.
3. Order the part from your local authorized Wheel Horse Dealer.

WHEEL-HORSE PRODUCTS, INC.

515 W. Ireland Road, South Bend, Indiana 46614



# WHEEL HORSE

lawn & garden tractors

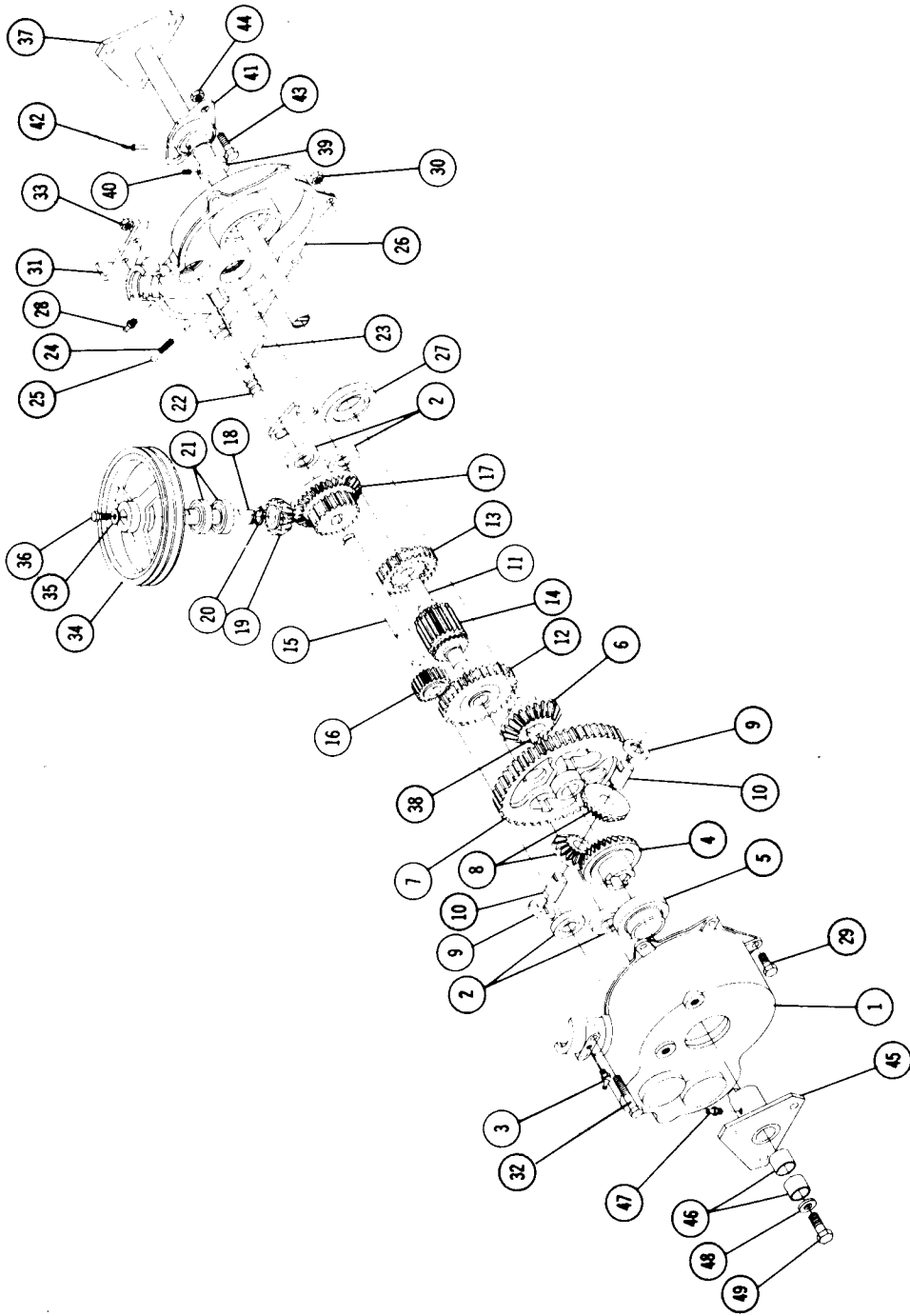
# 5056 TRANSMISSION PARTS LIST

Parts available only through Authorized Dealers.

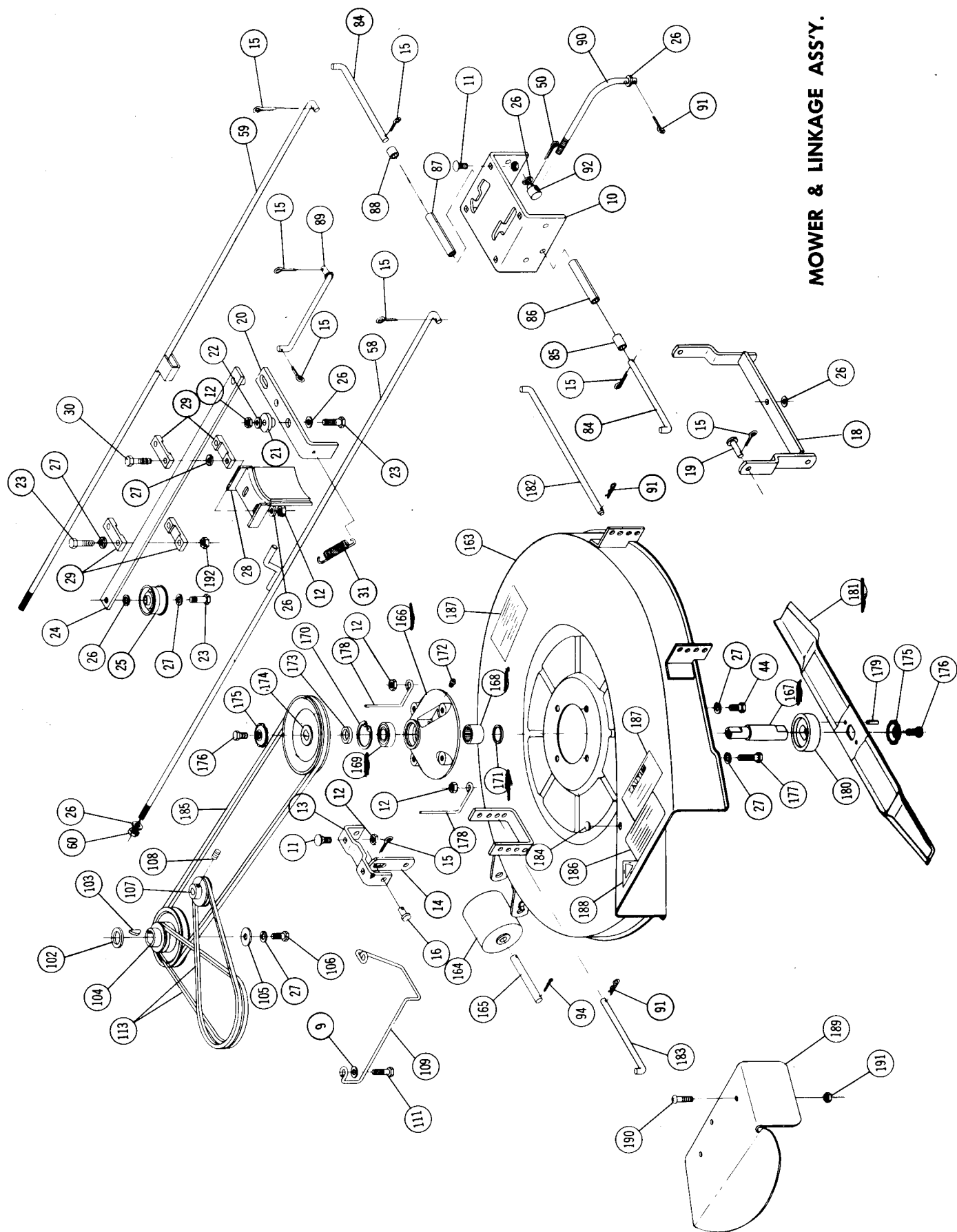
When ordering parts always list Part No. and name of Part.

(Specifications subject to change without notice.)

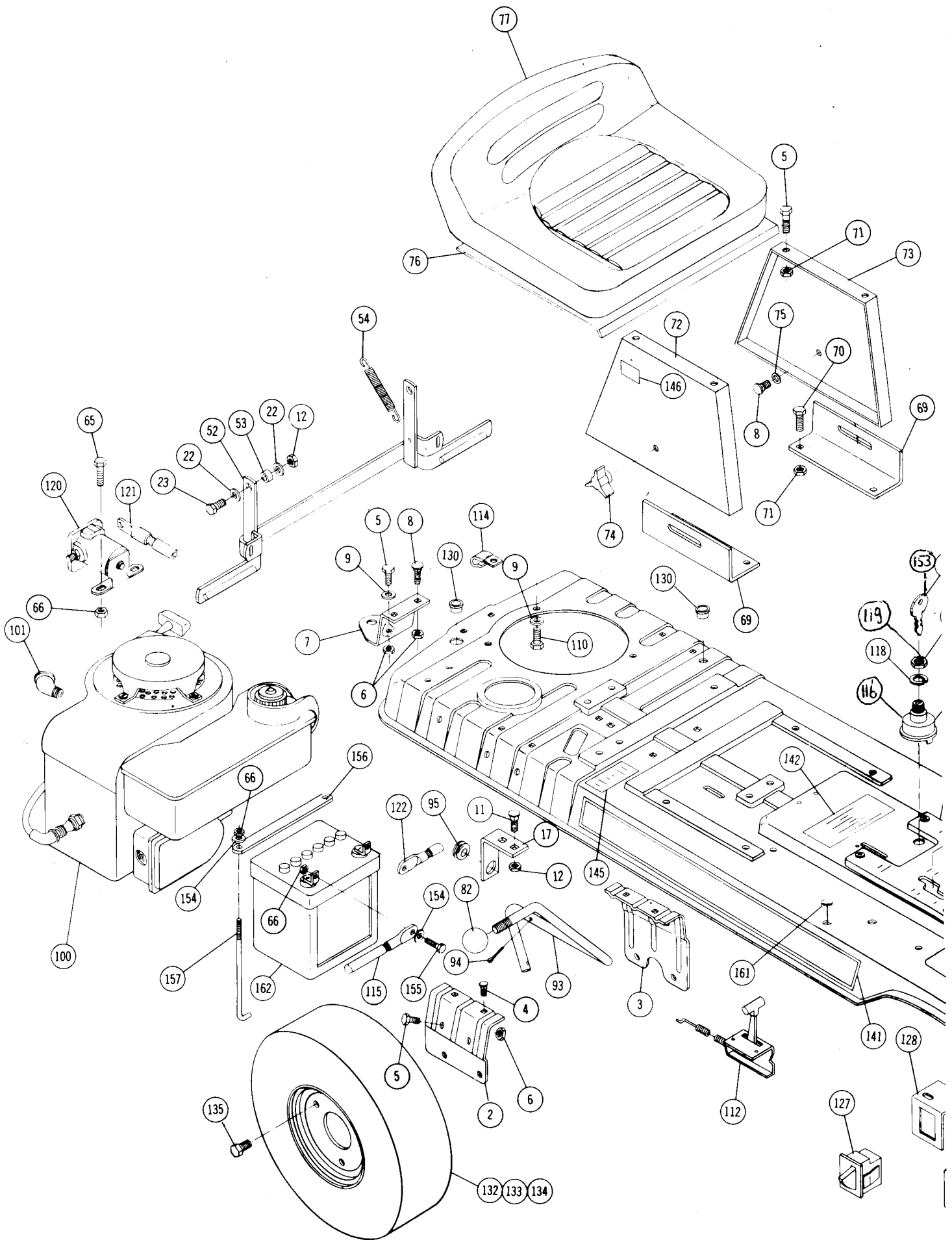
Item No.	No. Part	Description	Req'd. No.	Item No.	Part No.	Description	No. Req'd.
1	5738	Case R.H.	1	26	5739	Case L.H.	1
2	7060	Ball Bearing $\frac{5}{8}$ I.D.	4	27	5741	Ball Bearing $1\frac{1}{4}$ I.D.	1
3	1481	Grease Fitting 45°	1	28	1030	Grease Fitting	1
4	5746	Gear	1	29	908018-4	Bolt — Hex $\frac{5}{16}$ -18 x $\frac{7}{8}$	6
5	6639	Ball Bearing $1\frac{1}{4}$ I.D.	1	30	915972-4	Nut — Keps $\frac{5}{16}$ -18	6
6	5747	Gear — Axle L.H.	1	31	7730	Bracket — Shift Rod	1
7	5745	Gear — Final Drive	1	32	908025-4	Bolt Hex $\frac{5}{16}$ -18 x $2\frac{1}{2}$	2
8	5748	Gear — Differential Pinion	2	33	915112-6	Nut — $\frac{5}{16}$ -18 Nylok	2
9	5749	Washer — Thrust	2	34	6671	Pulley — Transmission	1
10	5750	Pin — Differential	2	35	920038-4	Washer $\frac{5}{16}$	1
11	5751	Shaft — Sliding Gear	1	36	908016-6	Bolt — Hex $\frac{5}{16}$ -18 x $\frac{5}{8}$ Nylok	1
12	5755	Gear — Low	1	37	8426	Rear Axle	1
13	5752	Gear — High	1	38	937017	Key — Woodruff #11	1
14	5758	Gear — Sliding	1	39	1085	Collar	1
15	6678	Shaft — Hi-Low Pinion	1	40	909848-5	Set Screw — $\frac{1}{4}$ -20 x $\frac{1}{4}$ Eslok	1
16	6679	Pinion — Low	1	41	5770	Bearing — Flanged Ball	1
17	6680	Gear — Combination	1	42	933171	Roll Pin — $\frac{5}{32}$ x 1	1
18	6681	Shaft — Input	1	43	908031-4	Bolt — $\frac{3}{8}$ -16 x $\frac{5}{8}$ Hex	2
19	6682	Gear — Pinion — Input	1	44	915113-6	Nut — $\frac{3}{8}$ -16 Eslok	2
20	936121	Snap Ring $\frac{5}{8}$ External	1	45	8428	Hub and Flange	1
21	6192	Ball Bearing $\frac{5}{8}$ I.D.	2	46	1504	Bushing — Bronze	2
22	5767	Shift Fork	1	47	MW-1455	Fitting — Lubrication $\frac{1}{4}$ Drive	1
23	933190	Roll Pin $\frac{3}{16}$ x $1\frac{1}{4}$	1	48	2844	Washer	1
24	6188	Spring	1	49	908032-6	Bolt — Hex $\frac{3}{8}$ -16 x $\frac{3}{4}$ Eslok	1
25	3517	Ball	1		908032-4	Mounting Bolt — $\frac{3}{8}$ -16 x $\frac{3}{4}$	2
					920156-4	Lockwasher — $\frac{3}{8}$ Int. Tooth	2



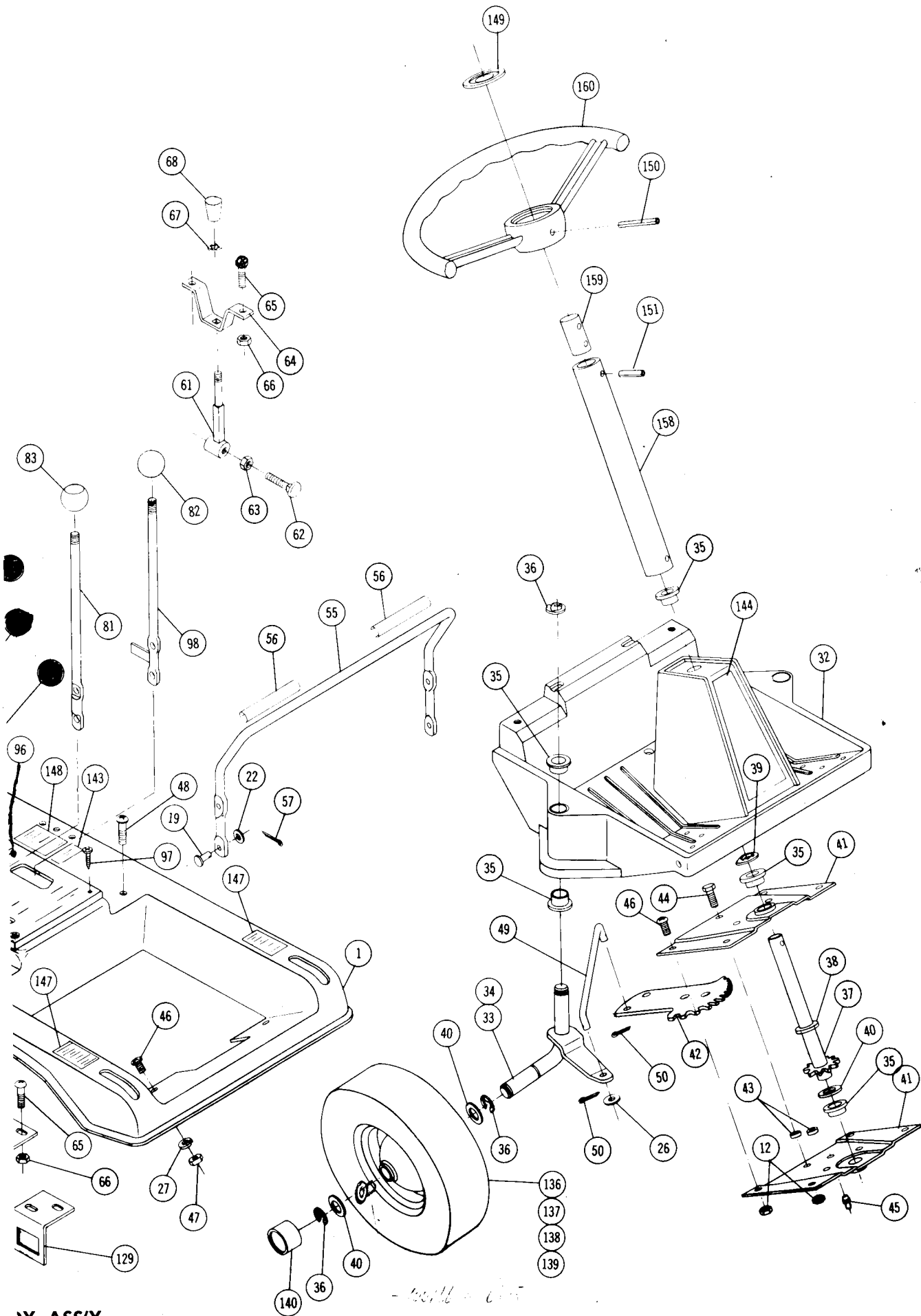
5056 TRANSMISSION



**MOWER & LINKAGE ASS'Y.**



MAIN BOE



BY ASS'Y.

## PARTS LIST FOR R-26 RIDING MOWER

Parts available only through Authorized Dealers.  
When ordering parts always list Part No. and Description.  
(Specifications subject to change without notice.)

Ref. No.	Part No.	Description	No. Req'd.	Ref. No.	Part No.	Description	No. Req'd.
1	103482	Body Frame	1	49	8441	Link Steering	2
2	8415	Support Axle R.H.	1	50	932016-4	Cotter Pin $\frac{1}{8}$ x $\frac{3}{4}$	4
3	8416	Support Axle L.H.	1	52	8458	Assy. Brake Arm	1
4	900285-4	Bolt $\frac{3}{16}$ -18 x $\frac{3}{8}$ S.N. Carriage	4	53	4394	Spacer	2
5	908016-4	Bolt $\frac{3}{16}$ -18 x $\frac{5}{8}$ Hex Hd.	9	54	9111	Spring	1
6	915112-6	Nut — Eslok $\frac{3}{16}$ -18	11	55	8444	Pedal Brake	1
7	8417	Bracket — Hitch	1	56	103161	Surfacing — Die Cut	2
8	900214-4	Bolt Carriage $\frac{3}{16}$ -18 x $\frac{3}{4}$ S.N.	4	57	934786-4	Cotter Pin $\frac{1}{8}$ x $\frac{3}{4}$	2
9	920008-4	Washer $\frac{3}{16}$ Dia.	4	58	8454	Assy. — Brake Rod R.H.	1
10	103484	Bracket — Control	1	59	103148	Assy. — Brake Rod L.H.	1
11	900233-4	Bolt Carriage $\frac{3}{8}$ -16 x $\frac{3}{4}$ S.N.	8	60	915663-4	Nut $\frac{3}{8}$ -16 E.S.	2
12	915113-6	Nut Eslok $\frac{3}{8}$ -16	20	61	103151	Assy. Stem	1
13	8419	Bracket Rear Lift	1	62	911407-4	Bolt $\frac{3}{8}$ -16 x $1\frac{3}{4}$ Carriage	1
14	8449	Link — Rear Lift	2	63	915236-4	Nut $\frac{3}{8}$ -16 Jam	1
15	932008-4	Cotter Pin $\frac{3}{32}$ x $\frac{3}{4}$	10	64	103224	Bracket — Parking Brake	1
16	932961-4	Pin — Clevis $\frac{3}{8}$ x $\frac{3}{4}$	2	65	910837-4	Bolt $\frac{1}{4}$ -20 x $\frac{3}{8}$ P.H.C.R.	8
17	8455	Bracket — Gear Shift	1	66	915111-6	Nut $\frac{1}{4}$ -20 Eslok	8
18	8445	Assy. Mower Hanger	1	67	103335	Ring — Retainer $\frac{1}{4}$ "	1
19	932965-4	Pin — Clevis $\frac{3}{8}$ x $1\frac{1}{2}$	4	68	6623	Knob	1
20	8456	Bar — Clutch and Brake Pivot	1	69	8981	Guide — Seat Adj.	2
21	8570	Bushing	1	70	908017-4	Bolt Hex $\frac{3}{16}$ -18	4
22	920039-4	Washer $\frac{3}{8}$ US	8	71	915112-6	Nut Eslok $\frac{3}{16}$ -18	8
23	908035-4	Bolt Hex $\frac{3}{8}$ -16 x $1\frac{1}{4}$	6	72	8888	Support — Seat R.H.	1
24	8420	Assy. Bar — Traction Clutch	1	73	8889	Support — Seat L.H.	1
25	8422	Pulley — Idler	1	74	8610	Knob	2
26	920009-4	Washer $\frac{3}{8}$ SAE	4	75	920123-4	Lockwasher Ext. Tooth	2
27	920083-4	Lockwasher $\frac{3}{8}$ Plain	10	76	103143	Base — Seat	1
28	8236	Assy. Brake Shoe & Lining	1	77	103672	Seat	1
29	5802	Block — Slider	4		900112-4	Seat Bolt — Carriage $\frac{1}{2}$ -13 x 1	1
30	908036-4	Bolt $\frac{3}{8}$ -16 x $1\frac{1}{2}$ Hex	2		920041-4	Washer — $\frac{1}{2}$ US	1
	102809	Nut $\frac{3}{8}$ -16 Large Flange	4		915115-4	Nut, $\frac{1}{2}$ -13	1
31	8436	Spring — Traction Clutch	1		920085-4	Lockwasher	1
32	8251	Casting Body Support	1	81	8432	Rod — Traction Clutch	1
33	8256	Assy. Spindle R.H.	1	82	5852	Knob	2
34	8255	Assy. Spindle L.H.	1	83	102891	Knob	1
35	101442	Bearing — Sintered Iron	7	84	8434	Rod — Control — Bracket	2
36	5618	E-Ring	6	85	103472	Spacer 1.82 Long	1
37	103168	Assy. Steering Shaft	1	86	103473	Spacer 4.32 Long	1
38	8161	Washer	1	87	103474	Spacer 5.46 Long	1
39	9798	Retainer	1	88	6595	Spacer .46 x .62 x .70	1
40	1278	Washer	5	89	8433	Link — Traction Clutch	1
41	8439	Support — Steering	2	90	103163	Link — Mower Clutch	1
42	100610	Sector — Steering	1		920009-4	Washer — $\frac{3}{8}$ SAE	4
43	5715	Spacer	3	91	933505-4	Hairpin Cotter	3
44	908033-4	Bolt Hex $\frac{3}{8}$ -16 x $\frac{7}{8}$	4	92	5791	Stud — Trunnion	1
	920009-4	Washer $\frac{3}{8}$ SAE	4		932016-4	Cotter Pin $\frac{1}{8}$ x $\frac{3}{4}$	2
45	MW-1455	Fitting — Grease	1	93	8457	Rod — Shift	1
46	910893-4	Bolt $\frac{3}{8}$ -16 x 1 Pan Head	6	94	932017-4	Cotter Pin $\frac{1}{8}$ x 1	3
47	915113-4	Nut Hex $\frac{3}{8}$ -16	2	95	5807	Grommet	1
48	910889-4	Bolt P.H.C.R. $\frac{3}{8}$ -16 x $\frac{1}{2}$	2	96	103191	Panel — Control	1

## PARTS LIST FOR R-26 RIDING MOWER

Parts available only through Authorized Dealers.  
When ordering parts always list Part No. and Description.  
(Specifications subject to change without notice.)

Ref. No.	Part No.	Description	No. Req'd.	Ref. No.	Part No.	Description	No. Req'd.
97	910324-4	Screw S.T. #8-32 x 3/4 C.R.	4	147	103189	Decal — Clutch — Brake	2
98	103444	Assy. Mower Clutch Rod	1	148	103435	Decal — Parking Brake	1
100	104385	Engine 7 H.P. Electric	1	149	102856	Insert — Steering Wheel	1
101	943082-4	Street Elbow 1/4-18 x 45°	1	150	933221	Spiral Pin 1/4 x 2	1
102	920016-4	Washer 7/8 SAE	1	151	933217	Roll Pin 1/4 x 1 1/2	2
103	937155	Key #6 Woodruff	1	153	7262	Key Ignition	1
104	8424	Pulley Engine	1	154	920007-4	Washer 1/4 Flat	4
105	2844	Washer	1	155	908003-4	Bolt Hex 1/4-20 x 3/4	2
106	908182-4	Bolt Hex 3/8-24 x 7/8	1	156	6480	Link	1
107	104190	Pulley — Reverse	1	157	8107	Hook — Battery Clamp	2
108	909850-5	Set Screw 1/4-20 x 3/8	1	158	103165	Assy. Tube — Steering	1
109	8425	Retainer Belt	1	159	7424	Adapter — Steering Wheel	1
110	908018-6	Bolt — Nylok 5/16-18 x 3/4	1	160	102715	Wheel — Steering	1
111	908019-6	Bolt — Nylok 5/16-18 x 7/8	2	161	935077-4	Plug — Button	2
112	8465	Throttle Control	1	162	9157	Battery	1
	923785-4	Pop Rivet 1/8 x .232	2	163	103495	Assy. Cutting Deck	1
113	103345	V Belt	2	164	5240	Roller Assy.	1
114	8830	Clip	3	165	5241	Pin — Roller	1
115	103146	Wiring Harness	1	→ 166	8242	Housing — Spindle	1
116	101482	Switch — Ignition	1	← 167	103691	Spindle Blade	1
118	920159-4	Lockwasher 5/16 I.D.	1	← 168	1528	Bearing — Needle	1
119	7261	Nut 5/16-24	1	← 169	101480	Bearing — Ball	1
120	8658	Solenoid	1	← 170	936029	Snapping	1
121	103105	Wire — Starter to Solenoid	1	← 171	100863	Seal	1
122	3660	Wire — Ground	1	172	3796	Fitting — Grease	1
127	103480	Switch — Clutch Interlock	2	173	8244	Spacer — Pulley	1
128	103403	Bracket — Switch Mounting	1	174	8245	Pulley, Blade	1
	915111-4	Nut, 1/4-20 Eslok	4	175	1336	Washer Dome	2
	920081-4	Lockwasher — 1/4	4	176	908032-5	Bolt — Nylok 3/8-16 x 3/4	2
129	103479	Bracket — Switch Mounting	1	177	911408-4	Bolt Hex 3/8-16 x 1 1/2	2
130	938018	Bushing	2	178	8246	Guide Belt	2
132	100027	Assy. Wheel Tire & Hub	2	179	933211	Roll Pin 1/4 Dia. x 3/4	2
133	100028	Tire — Tubeless	2	← 181	103998	Driver-Blade	1
134	5837	Wheel	2		8249	Blade 26"	1
135	1004	Lug Bolt 7/16-20	6	182	103999	Plate — Blade Driver	1
136	100029	Assy. Wheel, Tire, and Tube	2	183	8450	Rod — Height Adj. Front	1
137	100030	Tire 4.10/3.50-4	2	184	8451	Rod — Height Adj. Rear	1
138	100041	Tube	2	185	100146	Plug Button	1
139	100156	Wheel	2	186	8430	"V" Belt	1
140	8120	Cap — Hub	2	187	103707	Decal — Warning	1
141	102837	Decal — Hood	2	188	4570	Decal — Caution	2
142	102843	Decal — Caution	1	189	102985	Decal — OPEI	1
143	102844	Decal — Read Op. Manual	1	190	103159	Extension — Chute	1
144	9141	Decal — Front	1	191	910864-4	Bolt 5/16-18 x 5/8 P.H.C.R.	3
145	9145	Decal — Shift Pattern	1	191	915662-4	Nut 5/16-18 E.S.	3
146	9142	Decal — Electric Start	2	192	103709	Decal — 26"	1
					102809	Nut 3/8-16 Large Flange	4